

**PLEASE CHECK WWW.MOLEX.COM FOR LATEST PART INFORMATION**

**Part Number:** [0495170504](#)  
**Status:** **Active**  
**Description:** 3.96mm (.156") Pitch Wire-to-Board Female Housing, 5 Circuits, Blue

**Documents:**

[3D Model](#) [Product Specification PS-49517-001 \(PDF\)](#)  
[Drawing \(PDF\)](#) [RoHS Certificate of Compliance \(PDF\)](#)  
[Packaging Specification \(PDF\)](#)

**Agency Certification**

UL E29179

**General**

Product Family Crimp Housings  
 Series [49517](#)  
 Product Name N/A

**Physical**

Circuits (maximum) 5  
 Color - Resin Natural  
 Flammability 94V-0  
 Gender Female  
 Glow-Wire Compliant No  
 Keying to Mating Part None  
 Lock to Mating Part Yes  
 Material - Resin Polyester  
 Number of Rows 1  
 Packaging Type Bag  
 Panel Mount No  
 Pitch - Mating Interface (in) 0.156 In  
 Pitch - Mating Interface (mm) 3.96 mm  
 Polarized to Mating Part Yes  
 Stackable No  
 Temperature Range - Operating -25°C to +85°C

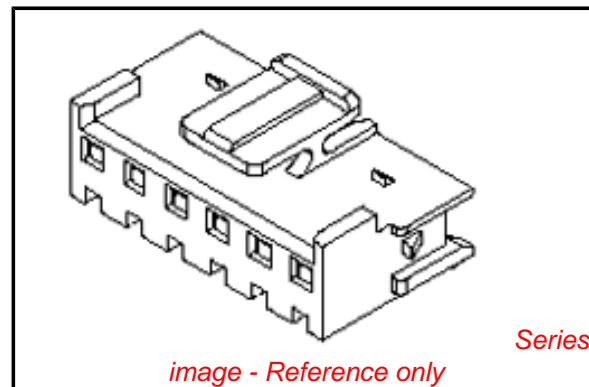
**Electrical**

Current - Maximum per Contact 6A, 7A

**Material Info**

**Reference - Drawing Numbers**

[Packaging Specification](#) PK-49517-001  
[Product Specification](#) PS-49517-001  
[Sales Drawing](#) SD-49517-001



*image - Reference only*

**EU RoHS**

**ELV and RoHS  
 Compliant**  
**REACH SVHC**  
 Not Reviewed  
**Halogen-Free  
 Status**

**China RoHS**



**Need more information on product  
 environmental compliance?**

Email [productcompliance@molex.com](mailto:productcompliance@molex.com)  
 For a multiple part number RoHS Certificate of  
 Compliance, [click here](#)

Please visit the [Contact Us](#) section for any  
 non-product compliance questions.

**Search Parts in this Series**

[49517Series](#)

**Mates With**

[35978](#) Wire-to-Board Header

**Use With**

[359229002](#) Wire-to-Board Terminal. [49518](#)  
 TPA™

DWG. NO.  
SD-49517-001

SIMILAR ITEM

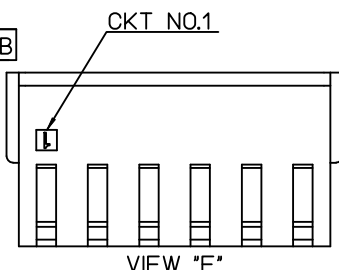
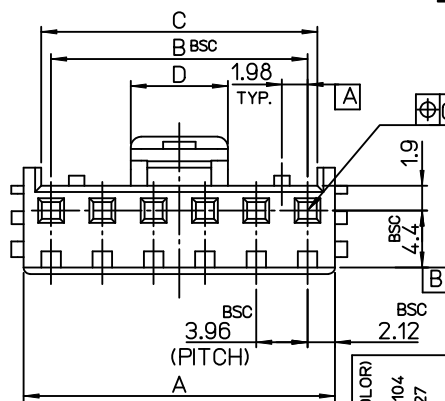
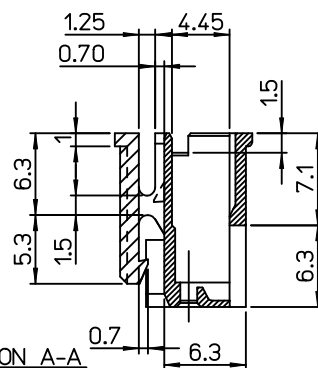
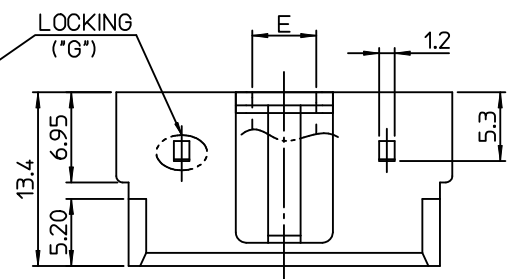
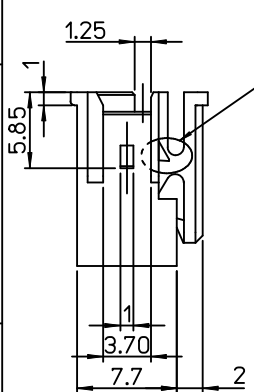
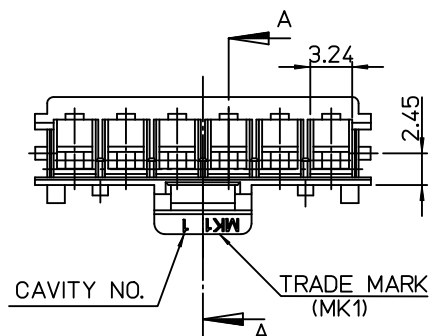
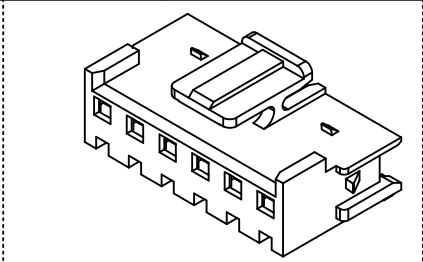
PROJECT NO.

B

DO NOT SCALE DRAWING  
DIMENSION IN METRIC

NOTES

1. MATERIAL : POLYAMIDE66,UL94V-0
2. FINISH : NATURAL COLOR
3. APPLICABLE TERMINAL : 35922-9002
4. USED WITH T.P.A : 49518 SERIES
5. MATED WITH HEADER ASSY : 35978 SERIES



LEGEND

49517 - \*\* 0 \*

COLOR - 0 : NATURAL COLOR  
2 : RED COLOR  
3 : YELLOW COLOR  
4 : BLUE COLOR

CIRCUIT SIZE

| E     | D     | C     | B     | A     | MATERIAL NO. | CKT' | TYPE*'G'        |
|-------|-------|-------|-------|-------|--------------|------|-----------------|
| 17.34 | 19.9  | 56.88 | 55.44 | 59.68 | - 150*       | 15   | LOCKING         |
|       |       | 52.92 | 51.48 | 55.72 | - 140*       | 14   |                 |
|       |       | 48.96 | 47.52 | 51.76 | - 130*       | 13   |                 |
|       |       | 45.00 | 43.56 | 47.80 | - 120*       | 12   |                 |
|       |       | 41.04 | 39.60 | 43.84 | - 110*       | 11   |                 |
|       |       | 37.08 | 35.64 | 39.88 | - 100*       | 10   |                 |
| 15.14 | 17.7  | 33.12 | 31.68 | 35.92 | - 090*       | 9    | LOCKING         |
| 13.14 | 15.7  | 29.16 | 27.72 | 31.96 | - 080*       | 8    |                 |
| 8.31  | 10.87 | 25.20 | 23.76 | 28.0  | - 070*       | 7    |                 |
| 4.94  | 7.5   | 21.24 | 19.80 | 24.04 | - 060*       | 6    | WITHOUT LOCKING |
|       |       | 17.28 | 15.84 | 19.82 | - 050*       | 5    |                 |
|       |       | 13.32 | 11.88 | 15.86 | - 040*       | 4    |                 |
|       |       | 9.36  | 7.92  | 11.90 | - 030*       | 3    |                 |
| 0.94  | 3.5   | 5.4   | 3.96  | 7.94  | 49517- 020*  | 2    | WITHOUT LOCKING |

|  |                                      |  |                 |                   |  |  |  |                           |                             |
|--|--------------------------------------|--|-----------------|-------------------|--|--|--|---------------------------|-----------------------------|
| REVISED (ADDED COLOR)<br>ECN NO. KOR2007-0104<br>DRWN: J.B.JIN 07/03/27<br>CHK: W.Y.YANG<br>APPR: E.H.JUNG | QUALITY SYMBOLS<br>MAJOR<br>CRITICAL | GENERAL TOLERANCES:<br>(UNLESS SPECIFIED)            |                 | SCALE<br>1 : 1    | DESIGN UNITS<br><input checked="" type="checkbox"/> MM <input type="checkbox"/> INCH | THIRD ANGLE PROJECTION<br><input checked="" type="checkbox"/> THIRD ANGLE <input type="checkbox"/> FIRST ANGLE | DIMENSIONS:<br><input type="checkbox"/> MM <input type="checkbox"/> INCH <input checked="" type="checkbox"/> MM ONLY | SHT<br>REV                |                             |
|  |                                      | 4 PLACES ±0. ±-                                      | 3 PLACES ±0. ±- | 2 PLACES ±0.25 ±- | 1 PLACE ±0.25 ±-   | DRAWN BY & DATE<br>J.B.JIN 05/02/18  | TITLE:<br>3.96 W/B CONN.HOUSING (TPA TYPE)   |                           |                             |
|  |                                      | ANGULAR: ± °   |                 |                   |  | CHECKED BY & DATE<br>W.Y.YANG 05/02/18   | MOLEX INCORPORATED   |                           |                             |
|  |                                      | DRAFT WHERE APPLICABLE MUST REMAIN WITHIN DIMENSIONS |                 |                   |  | APPROVED BY & DATE<br>C.W.LEE 05/02/18   | CAD FILENAME<br>e49517aa.mi  | MATERIAL NO.<br>SEE CHART | DRAWING NO.<br>SD-49517-001 |

THIS DRAWING CONTAINS INFORMATION THAT IS PROPRIETARY TO MOLEX INCORPORATED AND SHOULD NOT BE USED WITHOUT WRITTEN PERMISSION.